

18zT



Concrete solutions. Always.

Engine 3TNV70

Engine power 11,3 kW - 15,4 HP

Operating Weight 1.830 - 1.940 kg

 **EUROCOMACH®**

18ZT

Weight with canopy (with rubber tracks)	kg	1.720
Weight with cabin (with rubber tracks)	kg	1.830
Operating weight with canopy (with rubber tracks) ISO 6016	kg	1.830
Operating weight with cabin (with rubber tracks) ISO 6016	kg	1.940
Travelling speed (AUTO TWO SPEED)	km/h	1a : 0 ÷ 2,2 / 2a : 0 ÷ 4,1
Slew speed	rpm	10,5

ENGINE

Type	YANMAR 3TNV70 - STAGE 5	
Max. Power (2.200 rpm)	kW - HP	11,3 - 15,4
Displacement	cc	854
Number of cylinders	n°	3
Cooling	Liquid	
Consumption	lt/h	2,4
Alternator	V (A)	12 (40)
Battery	V (Ah)	12 (65)

HYDRAULIC SYSTEM

Pump type	variable flow	
Pump displacement	cc	8 + 8 + 6,6
Pump capacity	lt/min	16 + 16 + 13,1
Max. circuit calibration pressure	bar	220
Auxiliary system (max pressure): AUX 1 single or double effect	lt/min (bar)	29,1 (205)

PERFORMANCES

Max. digging depth with standard arm (optional arm)	mm	2.280 (2.480)
Max. dumping height with standard arm (optional arm)	mm	2.580 (2.700)
Bucket breaking force (standard arm) ISO 6015	daN	1.500
Arm breaking force (standard arm) ISO 6015	daN	950
Traction force	daN	1.700
Ground bearing pressure with rubber tracks and canopy (with cabin)	kg/cm ²	0,30 (0,31)
Max. slope	60% - 30°	

DIMENSIONS

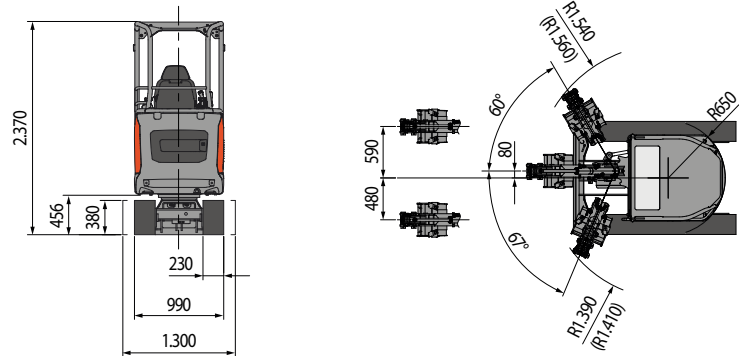
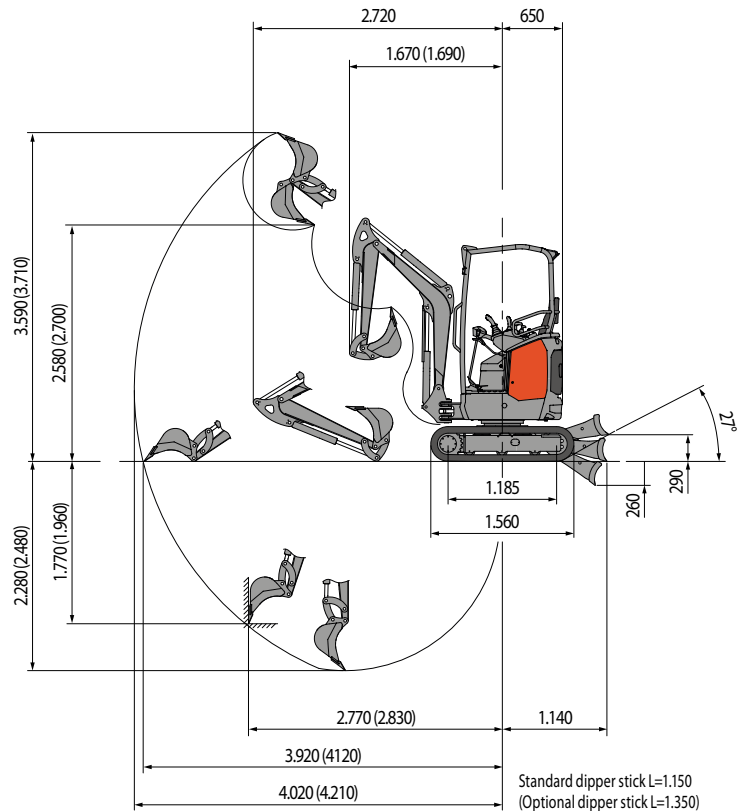
Maximum width	mm	990 - 1.300
Total height	mm	2.370
Rear rotation radius	mm	650
Digging arm length standard (optional)	mm	1.150 (1.350)
Tracks width	mm	230
Rollers number (for each side)	n°	3

FILLINGS

Fuel tank	lt	25
Hydraulic oil tank	lt	20
Hydraulic circuit capacity	lt	29
Cooling system capacity	lt	4,5
Engine oil	lt	2,4

CONTROLS

Boom, dipper stick, bucket and turret swing	2 pilot joysticks
Track movements (included counter rotation)	2 mechanical levers
Dozer blade	pilot lever
Auxiliary system AUX 1 (single or double effect)	right pedal
Boom swing	left pedal



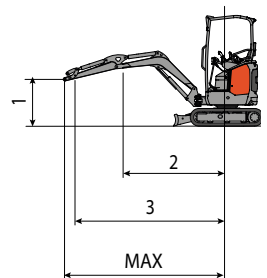
LIFTING CAPACITY

Opening arm from the rotation's center (m)
Lifting capacity (kg) at 1.0 m height

	2	3	MAX
Frontal and lowered dozer blade	*610	*420	*390
Frontal and lifted dozer blade	420	230	180
Lateral, open undercarriage	420	230	180

* Indicates the hydraulic load limit.

The lifting capacity is based on the ISO 10567 and it does not exceed more than the 75% of static tipping load or more than the 87% of the hydraulic lifting capacity of the machine.



 **EUROCOMACH**